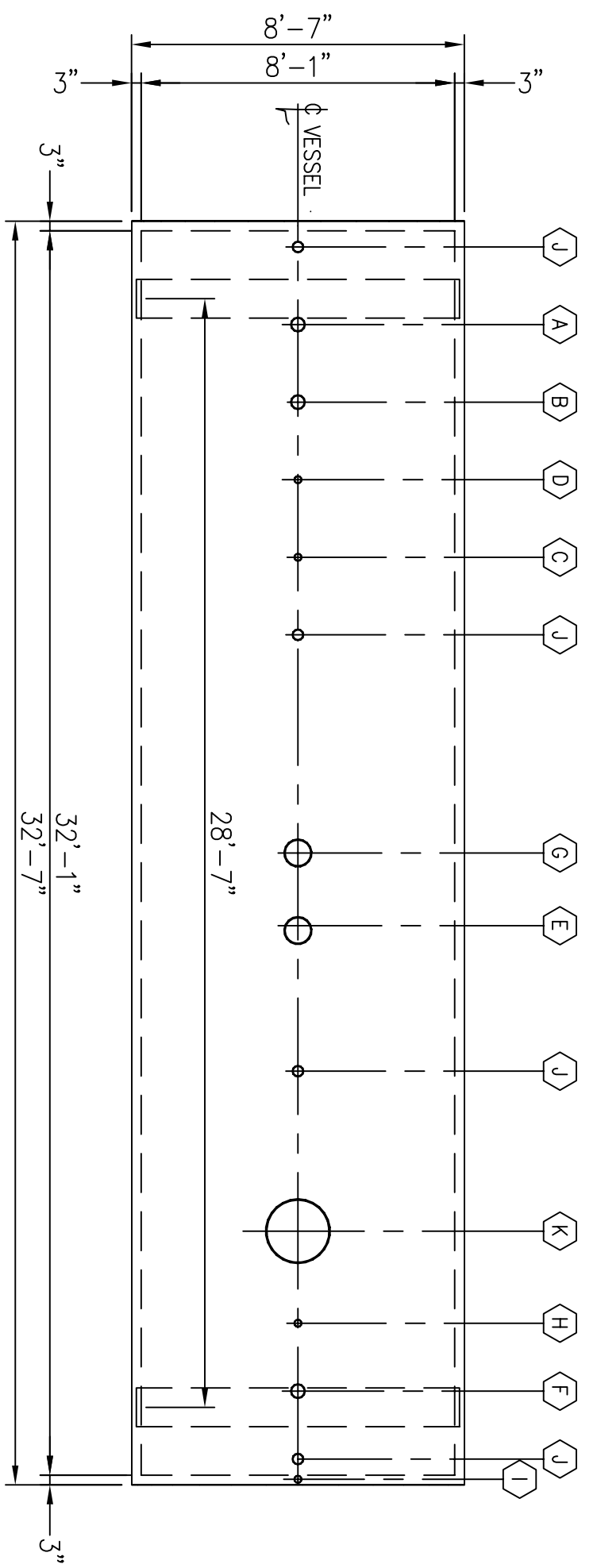


**NOZZLE SCHEDULE (12,000 GAL.)**

SERVICE	QTY.	NOZZLE	SIZE	CLASS	PIPE SCH.	WALL THK. (in)	EXT. PROU J	INT. PROU HS	PIPE LGTH	REINFORCING PLATE DATA			FILET WELD SIZE			WELDING DETAIL
										T	Do	Dp	A	B	C	
PRODUCT FILL	1	A	4"		40	1/4"	4"	3 3/16"	TO E.	3/16"			3/16"	3/16"	3/16"	
VAPOR RECOVERY	1	B	4"		40	1/4"	4"	3 3/16"	TO E.	3/16"			3/16"	3/16"	3/16"	
GAUGE	1	C	2"		40	1/4"	4"	3 3/16"	TO E.	3/16"			3/16"	3/16"	3/16"	
DISPENSING PORT	1	D	2"		40	1/4"	4"	3 3/16"	TO E.	3/16"			3/16"	3/16"	3/16"	
PRIMARY EMER. VENT	1	E	6"		40	1/4"	4"	3 3/16"	TO E.	3/16"			3/16"	3/16"	3/16"	
ELECTRONIC MONITOR	1	F	4"		40	1/4"	4"	3 3/16"	TO E.	3/16"			3/16"	3/16"	3/16"	
SECONDARY EMER. VENT	1	G	6"		40	1/4"	6"	3 3/16"	TO E.	3/16"			3/16"	3/16"	3/16"	
NORMAL VENT	1	H	2"		40	1/4"	4"	3 3/16"	TO E.	3/16"			3/16"	3/16"	3/16"	
SECONDARY MONITOR	1	I	2"		40	1/4"	4"	3 3/16"	TO E.	3/16"			3/16"	3/16"	3/16"	
CONCRETE PORT	2	J	3"				BONNEY FLANGE									
MANWAY	1	K	20"		40	1/4"	4"	3 3/16"	TO E.	3/16"			3/16"	3/16"	3/16"	



**PLAN VIEW**

**REFERENCE DRAWINGS**

**REVISIONS**

TITLE:	ISSUE FOR REVIEW	TVB	LD
DWG No: _____	A		
TITLE: _____	1/31/07		
DWG No: _____			
TITLE: _____			
DWG No: _____			

**Spurrin Inc.**  
 Plant & Facilities Engineering/Design  
 PHONE: (661) 327-1205  
 BAKERSFIELD, CALIFORNIA

VT-CC-12000  
 FIREGUARD TANK (12,000 GAL.)

DWG. SCALE: \_\_\_\_\_ DATE: 1/31/07  
 DR. T. BLACK CH. L. DAVIS DR. APP. \_\_\_\_\_  
 JOB NO. \_\_\_\_\_ DRAWING NO. \_\_\_\_\_  
 SHI. 1 OF 1  
 REV. A