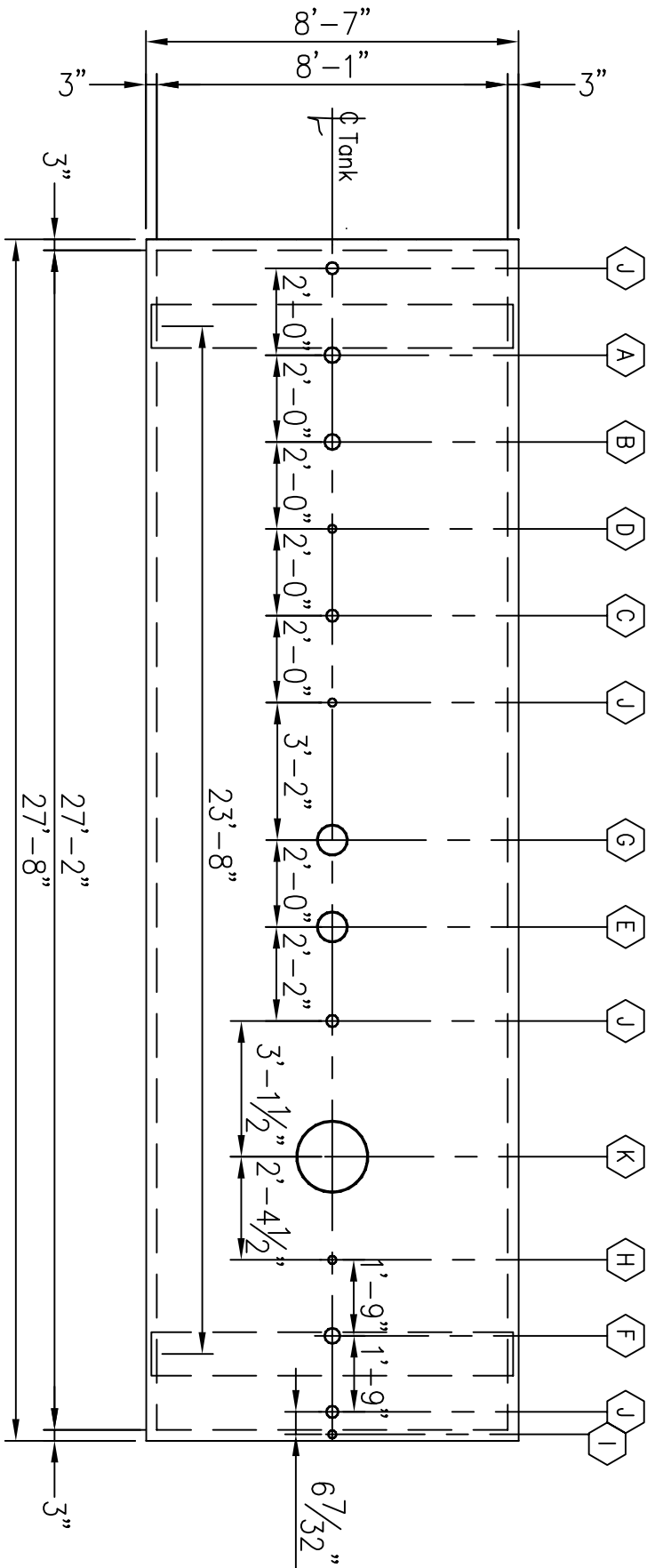


NOZZLE SCHEDULE (10,000 GAL.)

SERVICE	QTY.	NOZZLE	SIZE	CLASS	PIPE SCH.	WALL THK. (in)	EXT. PROU. J	INT. PROU. Hs	PIPE LGTH	REINFORCING PLATE DATA	FILLET WELD SIZE	WELDING DETAIL			
										T	Do	Dp	A	B	C
PRODUCT FILL	1	A	4"		40	0.237	4"	3 1/4"	TO.E.	1/4"			1/4"	1/4"	1/4"
VAPOR RECOVERY	1	B	4"		40	0.237	4"	3 1/4"	TO.E.	1/4"			1/4"	1/4"	1/4"
GAUGE	1	C	2"		40	0.154	4"	3 1/4"	TO.E.	1/4"			1/4"	1/4"	1/4"
DISPENSING EMER. VENT	1	D	2"		40	0.154	4"	3 1/4"	TO.E.	1/4"			1/4"	1/4"	1/4"
SECONDARY EMER. VENT	1	E	8"		40	0.332	4"	3 1/4"	TO.E.	1/4"			1/4"	1/4"	1/4"
ELECTRONIC MONITOR	1	F	4"		40	0.237	4"	3 1/4"	TO.E.	1/4"			1/4"	1/4"	1/4"
PRIMARY EMER. VENT	1	G	8"		40	0.332	6"	3 1/4"	TO.E.	1/4"			1/4"	1/4"	1/4"
NORMAL VENT	1	H	2"		40	0.154	4"	3 1/4"	TO.E.	1/4"			1/4"	1/4"	1/4"
SECONDARY MONITOR	1	I	2"		40	0.154	4"	3 1/4"	TO.E.	1/4"			1/4"	1/4"	1/4"
CONCRETE PORT	4	J	3"							1/4"					
MANWAY	1	K	20"							1/4"			1/4"	1/4"	1/4"



PLAN VIEW

REFERENCE DRAWINGS

REVISIONS

A

ISSUE FOR REVIEW

TVB LD

TITLE: 1/31/07

DWG No: 1/31/07

TITLE: 1/31/07

DWG No: 1/31/07



PHONE: (661) 327-1205 BAKERSFIELD, CALIFORNIA

DWG. SCALE: DATE: 1/31/07

DR. T. BLACK CH. L. DAVIS DR. APP.

VT-CC-10000

FIREGUARD TANK (10,000 GAL)

JOB NO.

DRAWING NO.

SHT. 1 OF 1

REV. A