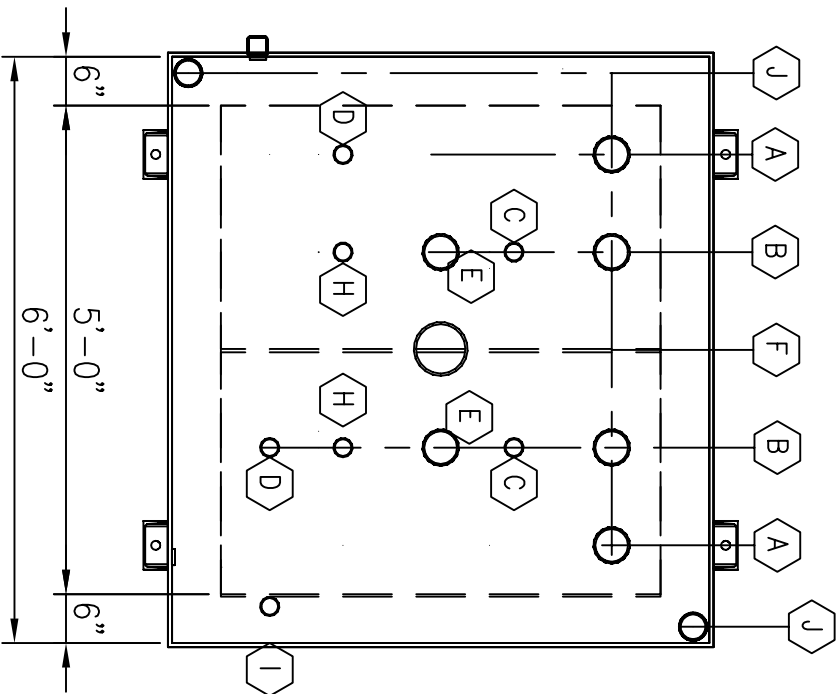
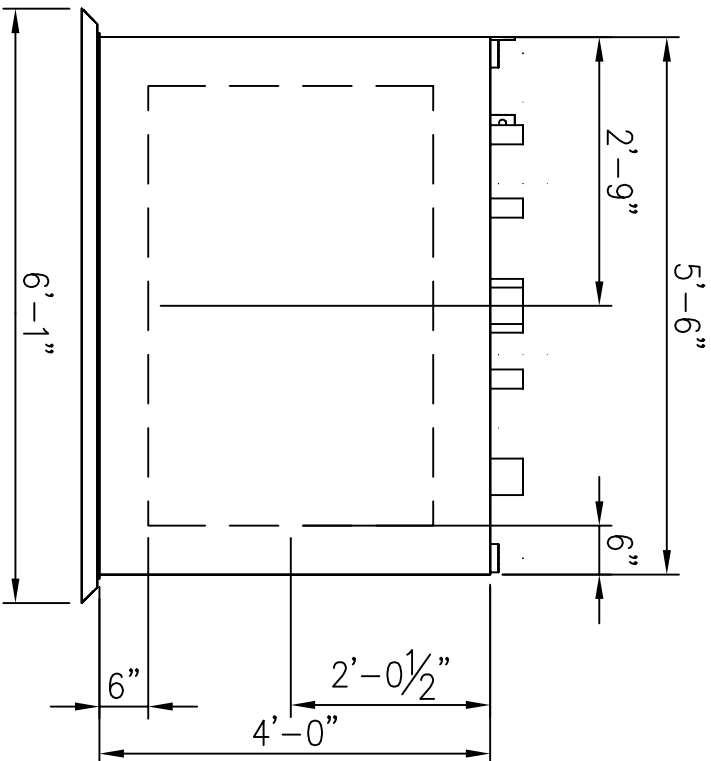


NOZZLE SCHEDULE (500 GAL.)

SERVICE	QTY.	NOZZLE	SIZE	CLASS	PIPE SCH.	WALL THK. (in)	EXT. PROJ. J	INT. PROJ. Hs	PIPE LGTH	REINFORCING PLATE DATA	Fillet Weld Size			WELDING DETAIL		
										T	Do	Dp	A	B	C	
PRODUCT FILL	2	A	4"		40	0.237	4"	7 3/16"	TO.E.	3/16"			3/16"	3/16"	3/16"	
VAPOR RECOVERY	2	B	4"		40	0.237	4"	7 3/16"	TO.E.	3/16"			3/16"	3/16"	3/16"	
GAUGE	2	C	2"		40	0.154	4"	7 3/16"	TO.E.	3/16"			3/16"	3/16"	3/16"	
DISPENSING PORT	2	D	2"		40	0.154	4"	7 3/16"	TO.E.	3/16"			3/16"	3/16"	3/16"	
PRIMARY EMER. VENT	2	E	4"		40	0.237	4"	7 3/16"	TO.E.	3/16"			3/16"	3/16"	3/16"	
SECONDARY EMER. VENT	1	F	6"		40	0.280	4"	3/16"	TO.E.	3/16"			3/16"	3/16"	3/16"	
NORMAL VENT	2	H	2"		40	0.154	4"	7 3/16"	TO.E.	3/16"			3/16"	3/16"	3/16"	
SECONDARY MONITOR	1	I	2"		40	0.154	4"	7 3/16"	TO.E.	3/16"			3/16"	3/16"	3/16"	
CONCRETE PORT	2	J	3"		BONNEY	FLANGE			TO.E.	3/16"			3/16"	3/16"	3/16"	



PLAN VIEW



SIDE

REFERENCE DRAWINGS

REVISIONS

ISSUE FOR REVIEW

TITLE:	DATE:	BY:	LD
A	3-20-07		



PHONE: (661) 327-1205

BAKERSFIELD, CALIFORNIA

DWG. SCALE: DATE: 3-20-07

DR. L. DAVIS CH. L. DAVIS DR. APP.

VT-500 Split 250 250

FIREGUARD TANK (500 GAL.)

JOB NO.

DRAWING NO.

SHI. 1 OF 1

REV. A