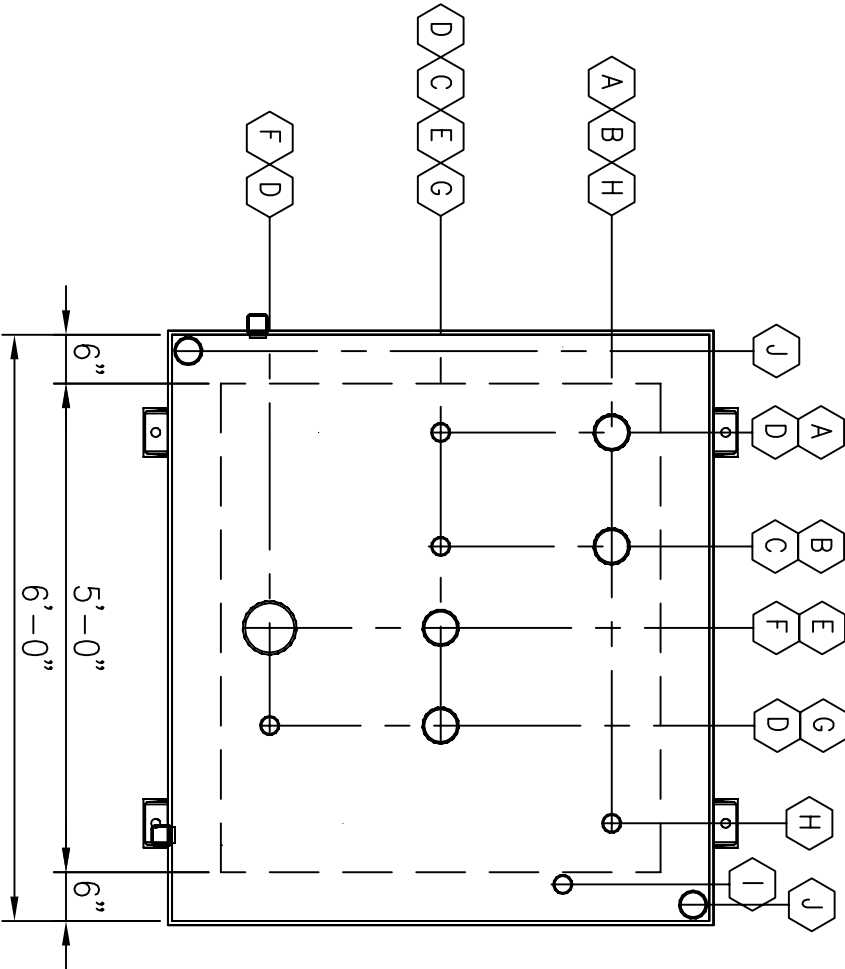
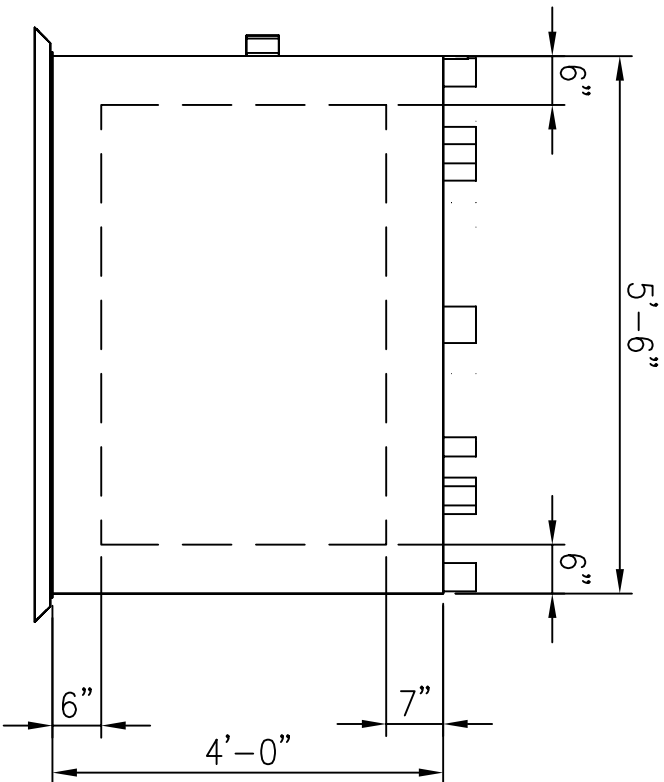


NOZZLE SCHEDULE (500 GAL.)

SERVICE	QTY.	NOZZLE	SIZE	CLASS	PIPE SCH.	WALL THK. (in)	EXT. PROJ. J	INT. PROJ. Hs	PIPE LGTH	REINFORCING PLATE DATA	FILET WELD SIZE			WELDING DETAIL
PRODUCT FILL	1	A	4"		40	0.237	4"	7 3/16"	T.O.E.	3/16"	A	B	C	
VAPOR RECOVERY	1	B	4"		40	0.237	4"	7 3/16"	T.O.E.	3/16"	3/16"	3/16"	3/16"	
GAUGE	1	C	2"		40	0.154	4"	7 3/16"	T.O.E.	3/16"	3/16"	3/16"	3/16"	
DISPENSING PORT	2	D	2"		40	0.154	4"	7 3/16"	T.O.E.	3/16"	3/16"	3/16"	3/16"	
PRIMARY EMER. VENT	1	E	4"		40	0.237	4"	7 3/16"	T.O.E.	3/16"	3/16"	3/16"	3/16"	
SECONDARY EMER. VENT	1	F	6"		40	0.280	4"	3/16"	T.O.E.	3/16"	3/16"	3/16"	3/16"	
ELECTRONIC MONITOR	1	G	4"		40	0.237	4"	7 3/16"	T.O.E.	3/16"	3/16"	3/16"	3/16"	
NORMAL VENT	1	H	2"		40	0.154	4"	7 3/16"	T.O.E.	3/16"	3/16"	3/16"	3/16"	
SECONDARY MONITOR	1	I	2"		40	0.154	4"	7 3/16"	T.O.E.	3/16"	3/16"	3/16"	3/16"	
CONCRETE PORT	2	J	3"		BONNEY	FLANGE		7 3/16"	T.O.E.	3/16"	3/16"	3/16"	3/16"	



PLAN VIEW



SIDE

REFERENCE DRAWINGS

REVISIONS

ISSUE FOR REVIEW



PHONE: (661) 327-1205

BAKERSFIELD, CALIFORNIA

VT-500

FIREGUARD TANK (500 GAL.)

TITLE:	A
DWG No.:	1/31/07
TITLE:	
DWG No.:	
TITLE:	
DWG No.:	

DWG. SCALE:	DATE:
DR. T. BLACK	CH. L. DAVIS
DR. APP.:	DR. APP.:

JOB NO.	DRAWING NO.	SHT. 1 OF 1	REV. A
---------	-------------	-------------	--------