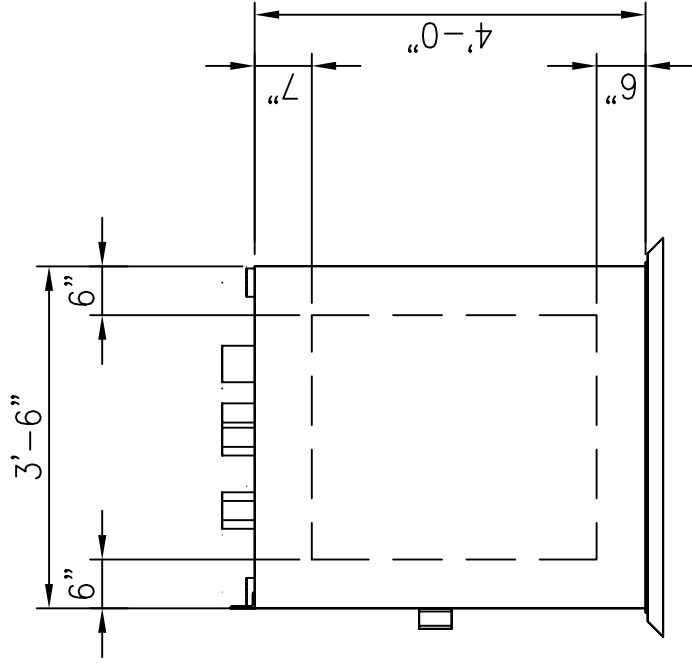
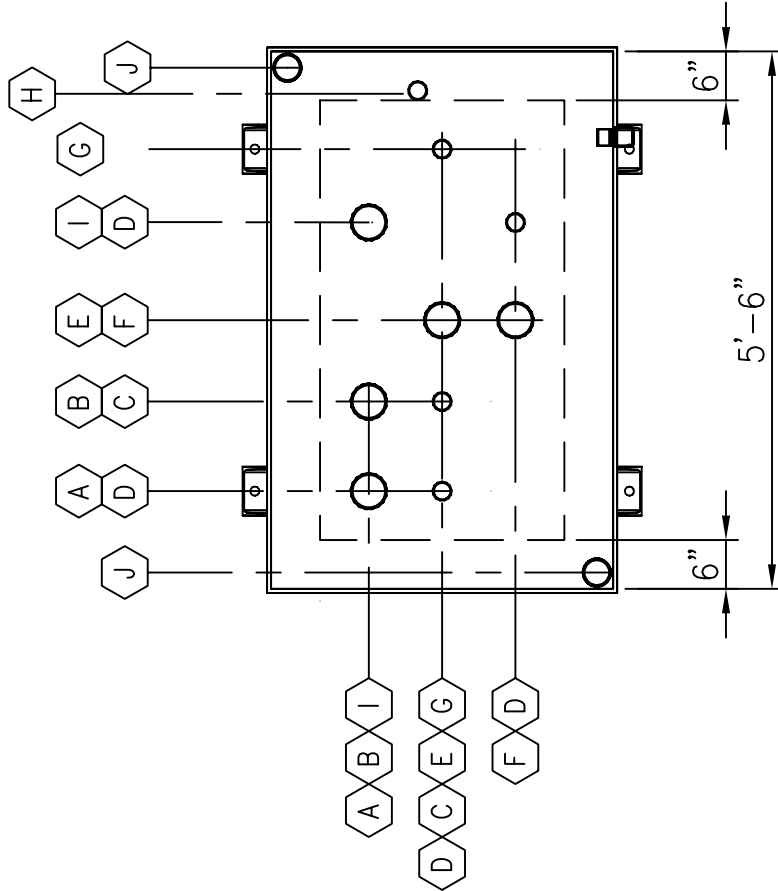


NOZZLE SCHEDULE (250 GAL.)

SERVICE	QTY.	NOZZLE	SIZE	CLASS	PIPE SCH.	WALL THK. (in)	EXT. PROJ. J	INT. PROJ. Hs	PIPE LGTH	REINFORCING PLATE DATA			FILLET WELD SIZE			WELDING DETAIL
										T	Do	Dp	A	B	C	
PRODUCT FILL	1	A	4"		40	0.237	4"	7 3/16"	T.O.E.	3/16"			3/16"	3/16"	3/16"	
VAPOR RECOVERY	1	B	4"		40	0.237	4"	7 3/16"	T.O.E.	3/16"			3/16"	3/16"	3/16"	
GAUGE	1	C	2"		40	0.154	4"	7 3/16"	T.O.E.	3/16"			3/16"	3/16"	3/16"	
DISPENSING PORT	1	D	2"		40	0.154	4"	7 3/16"	T.O.E.	3/16"			3/16"	3/16"	3/16"	
PRIMARY VENT	1	E	4"		40	0.237	4"	7 3/16"	T.O.E.	3/16"			3/16"	3/16"	3/16"	
SECONDARY EMER. VENT	1	F	4"		40	0.237	4"	7 3/16"	T.O.E.	3/16"			3/16"	3/16"	3/16"	
NORMAL VENT	1	G	2"		40	0.154	4"	7 3/16"	T.O.E.	3/16"			3/16"	3/16"	3/16"	
SECONDARY MONITOR	1	H	2"		40	0.154	4"	7 3/16"	T.O.E.	3/16"			3/16"	3/16"	3/16"	
ELECTRONIC MONITOR	1	I	2"		40	0.237	4"	7 3/16"	T.O.E.	3/16"			3/16"	3/16"	3/16"	
CONCRETE PORT	2	J	3"		BONNEY	FLANGE		FLUSH								



PLAN VIEW

SIDE

REFERENCE DRAWINGS		REVISIONS		VT-250			
TITLE:				FIREGUARD TANK (250 GAL)			
DWG No:							
TITLE:							
DWG No:							
TITLE:							
DWG No:							
PHONE: (661) 327-1205 BAKERSFIELD, CALIFORNIA DWG. SCALE: _____ DATE: 1/31/07 DR. T. BLACK CH. L. DAVIS DR. APP. _____				JOB NO. _____		DRAWING NO. _____	
				1 OF 1		REV. A	