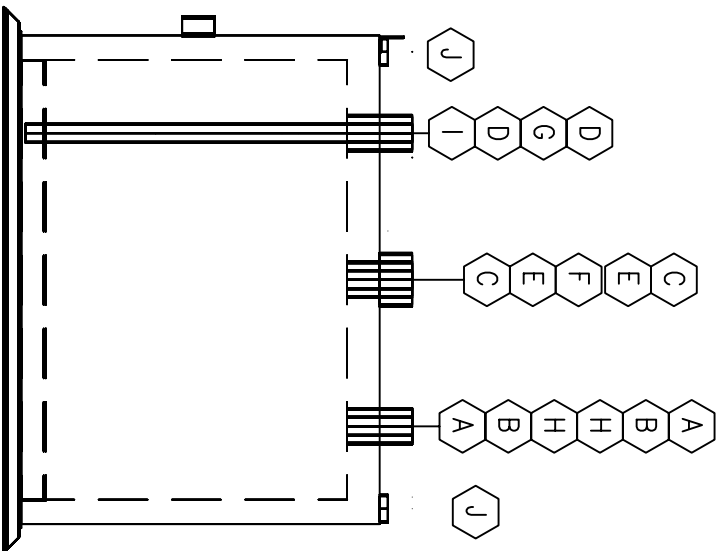
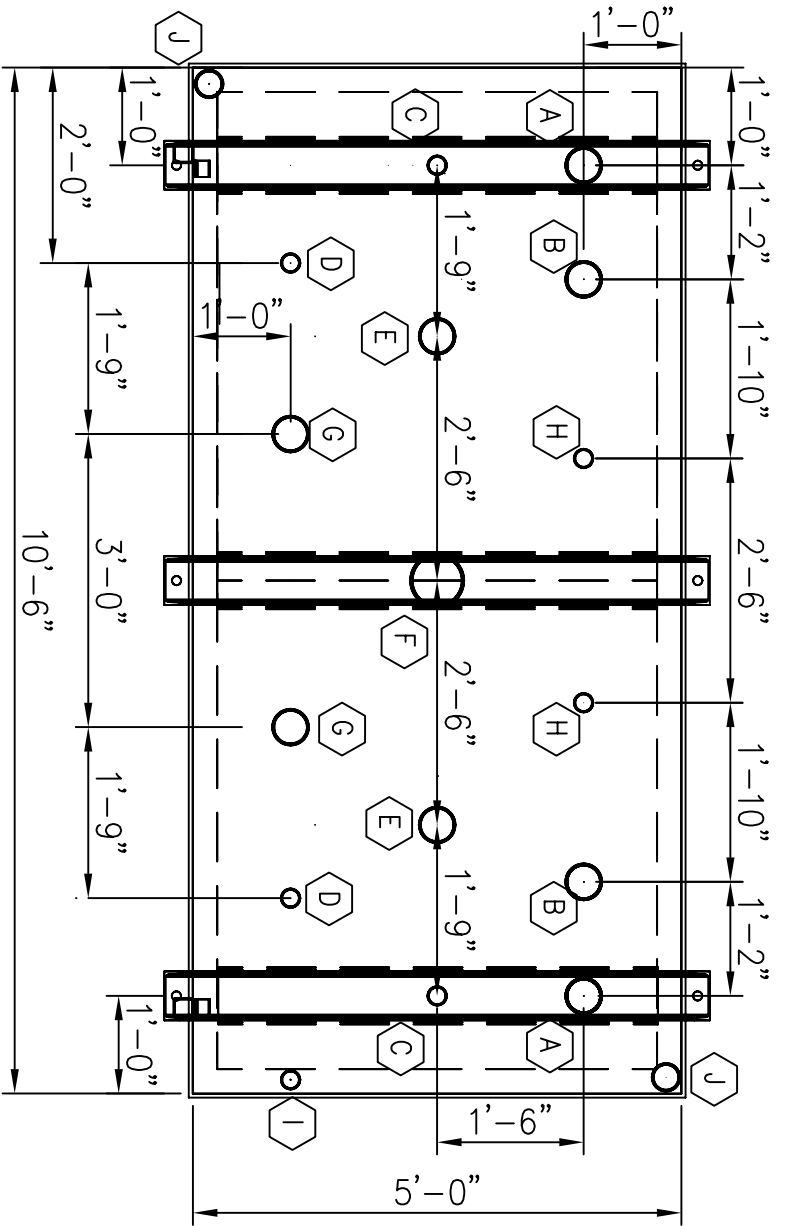


NOZZLE SCHEDULE (1,000 GAL.)

SERVICE	QTY.	NOZZLE	SIZE	CLASS	PIPE SCH.	WALL THK. (in)	EXT. PROJ.	INT. PROJ.	PIPE LGTH	REINFORCING PLATE DATA	FILET WELD SIZE	WELDING DETAIL
							J	Hs		T Do Dp	A B C	
PRODUCT FILL	2	A	4"		40	0.237	4"	4 3/16"	T.O.E.	3/16"	3/16"	3/16"
VAPOR RECOVERY	2	B	4"		40	0.237	4"	4 3/16"	T.O.E.	3/16"	3/16"	3/16"
GAUGE	2	C	2"		40	0.154	4"	4 3/16"	T.O.E.	3/16"	3/16"	3/16"
DISPENSING PORT	2	D	2"		40	0.154	4"	4 3/16"	T.O.E.	3/16"	3/16"	3/16"
PRIMARY EMER. VENT	2	E	4"		40	0.280	4"	4 3/16"	T.O.E.	3/16"	3/16"	3/16"
ELECTRONIC MONITOR	2	F	4"		40	0.237	4"	4 3/16"	T.O.E.	3/16"	3/16"	3/16"
SECONDARY EMER. VENT	1	G	6"		40	0.280	4"	3/16"	T.O.E.	3/16"	3/16"	3/16"
NORMAL VENT	2	H	2"		40	0.154	4"	4 3/16"	T.O.E.	3/16"	3/16"	3/16"
SECONDARY MONITOR	1	I	2"		40	0.154	4"	4 3/16"	T.O.E.	3/16"	3/16"	3/16"
CONCRETE PORT	2	J	3"		BONNEY	FLANGE						



PLAN VIEW

END

REFERENCE DRAWINGS		REVISIONS		 Plant & Facilities Engineering/Design BAKERSFIELD, CALIFORNIA		VT-1000 Split 500 500	
TITLE:		A	ISSUE FOR REVIEW			LD	LD
DWG No.:		PHONE: (661) 327-1205		DATE		JOB NO.	DRAWING NO.
TITLE:		DR. L. DAVIS		3-20-07		SHI.	REV.
DWG No.:		CH. L. DAVIS		DR. APP.		1 OF 1	A