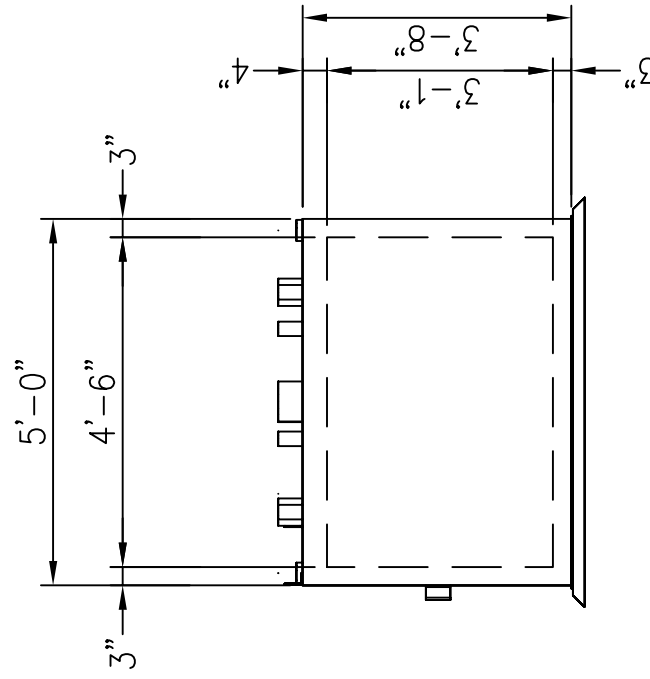
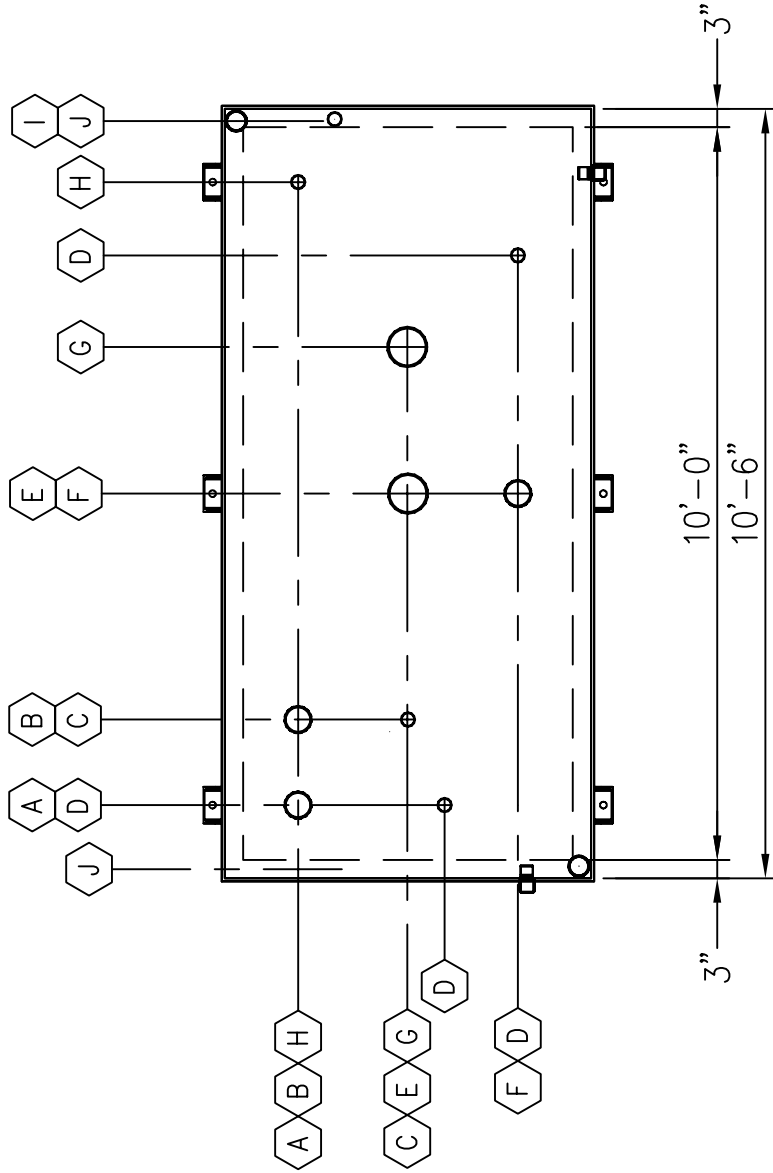


NOZZLE SCHEDULE (1,000 GAL.)

SERVICE	QTY.	NOZZLE	SIZE	CLASS	PIPE SCH.	WALL THK. (in)	EXT. PROJ.	INT. PROJ.	Hs	PIPE LGTH	REINFORCING PLATE DATA			FILLET WELD SIZE			WELDING DETAIL
											T	Do	Dp	A	B	C	
PRODUCT FILL	1	A	4"		40	0.237	4"	4 3/16"	4 3/16"	T.O.E.	3/16"	3/16"	3/16"	3/16"	3/16"	3/16"	
VAPOR RECOVERY	1	B	4"		40	0.237	4"	4 3/16"	4 3/16"	T.O.E.	3/16"	3/16"	3/16"	3/16"	3/16"	3/16"	
GAUGE	1	C	2"		40	0.154	4"	4 3/16"	4 3/16"	T.O.E.	3/16"	3/16"	3/16"	3/16"	3/16"	3/16"	
DISPENSING PORT	2	D	2"		40	0.154	4"	4 3/16"	4 3/16"	T.O.E.	3/16"	3/16"	3/16"	3/16"	3/16"	3/16"	
PRIMARY EMER. VENT	1	E	6"		40	0.280	4"	4 3/16"	4 3/16"	T.O.E.	3/16"	3/16"	3/16"	3/16"	3/16"	3/16"	
ELECTRONIC MONITOR	1	F	4"		40	0.237	4"	4 3/16"	4 3/16"	T.O.E.	3/16"	3/16"	3/16"	3/16"	3/16"	3/16"	
SECONDARY EMER. VENT	1	G	6"		40	0.280	4"	3/16"	3/16"	T.O.E.	3/16"	3/16"	3/16"	3/16"	3/16"	3/16"	
NORMAL VENT	1	H	2"		40	0.154	4"	4 3/16"	4 3/16"	T.O.E.	3/16"	3/16"	3/16"	3/16"	3/16"	3/16"	
SECONDARY MONITOR	1	I	2"		40	0.154	4"	4 3/16"	4 3/16"	T.O.E.	3/16"	3/16"	3/16"	3/16"	3/16"	3/16"	
CONCRETE PORT	2	J	3"		BONNEY FLANGE												



PLAN VIEW

SIDE

REFERENCE DRAWINGS	REVIEWS
TITLE:	ISSUE FOR REVIEW
DWG No:	1/31/07
TITLE:	
DWG No:	
TITLE:	
DWG No:	

REVISIONS	TVB	LD

Spartan Inc.
Plan & Facilities Engineering/Design

PHONE: (661) 327-1205 BAKERSFIELD, CALIFORNIA

DWG. SCALE: _____ DATE: 1/31/07

DR. T. BLACK CH. L. DAVIS DR. APP. _____

VT-1000		DRAWING NO.		JOB NO.		SHT.		REV.	
FIREGUARD TANK (1,000 GAL)						1 OF 1		A	